

Physical data

50AZ		016	020	024	028	034	040
Nominal cooling capacity*	kW	43.0	54.1	70.0	78.1	99.5	116.1
Operating weight	kg	745	920	1060	1070	1545	1595
Refrigerant charge		R-407C					
Compressor		Scroll	Hermetic	Scroll	Scroll	Hermetic	Hermetic
Quantity		1	2	2	2	2	2
Indoor/outdoor coil		Copper tubes, aluminium fins					
Indoor fan and motor		One, centrifugal					
Air flow	l/s	2528	3444	3472	3944	5550	5550
Outdoor fan and motor		Axial Flying Bird fans with rotating shroud					
Quantity ... air flow	l/s	1 ... 6100	2 ... 6600	2 ... 10600	2 ... 10600	2 ... 13000	2 ... 12500

Electrical data

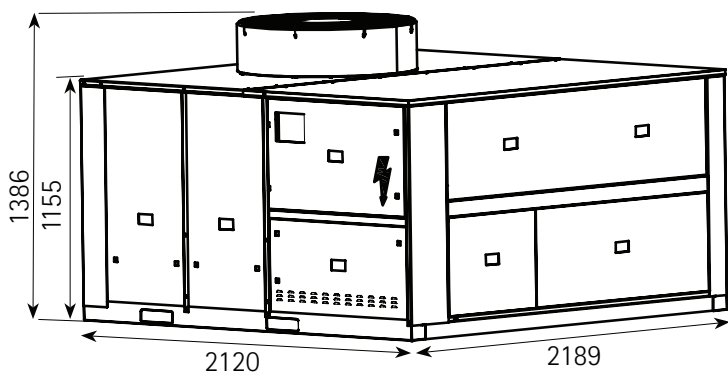
50AZ**		016	020	024	028	034	040
Nominal voltage	V-ph-Hz	400-3-50					
Nominal power input*	kW	17.49	27.08	31.85	37.11	45.70	54.10
Nominal current drawn*	A	36.30	49.33	56.23	72.47	79.70	92.80
Starting current	A	182	133	184.3	216	315	340

* Based on an outdoor air dry bulb temperature of 35°C and an indoor air wet bulb temperature of 19°C.

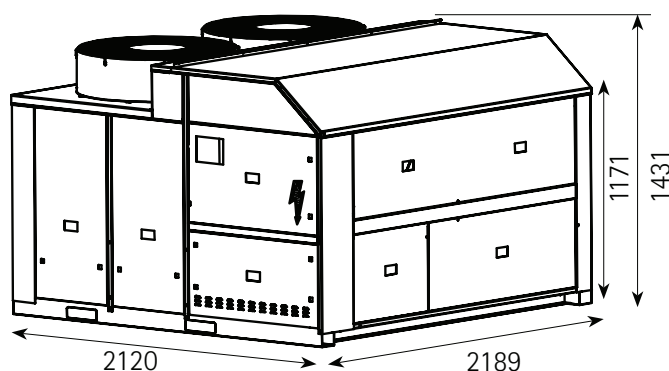
** Standard unit without any options and accessories.

Dimensions, mm

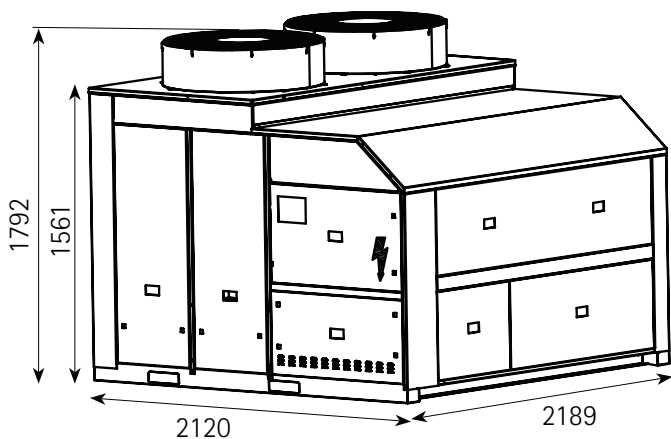
50AZ 016



50AZ 020



50AZ 024, 028



50AZ 034, 040

