

Physical data

42BJ		Size 1.9	Size 2.9	Size 4.9
Nominal air flow	l/s (m ³ /h)	158 (572)	189 (682)	223 (804)
Pressure drop	Pa	150	124	115
Cooling mode				
Total cooling capacity	kW	3.23	4.99	5.22
Sensible cooling capacity	kW	2.55	3.46	3.88
Water flow rate	l/s (l/h)	0.15 (555)	0.22 (796)	0.25 (808)
Water pressure drop	kPa	58	77	95
Heating mode, 2 pipes				
Heating capacity	kW	3.86	5.30	5.82
Heating mode, 4 pipes				
Heating capacity	kW	3.38	4.62	6.43
Water flow rate	l/s (l/h)	0.08 (291)	0.11 (397)	0.15 (553)
Water pressure drop	kPa	18	35	73
Electric heater				
Low-capacity heating	W	500	500	450
High-capacity heating	W	1700	1900	1760
Sound levels				
Sound power level	dB(A)	64	67	72
Sound pressure level*	dB(A)	43	46	51
NR value		38	41	46
Power supply				
Power input	W	116	125	177
Current draw	A	0.89	1.04	0.77
Dimensions				
Coil inlet/outlet diameters	in	1/2 gas	1/2 gas	1/2 gas
Length A	mm	900	1100	1100
Length C	mm	600	720	720
Height D	mm	270	270	345
Depth B	mm	690	840	840
Weight	kg	31	40	60

Based on Eurovent rating standards:

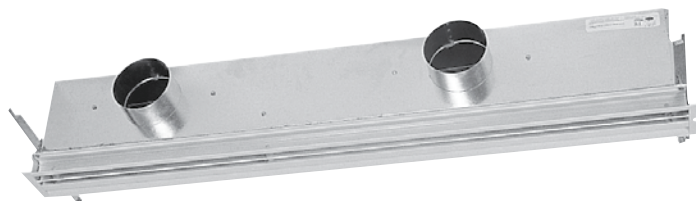
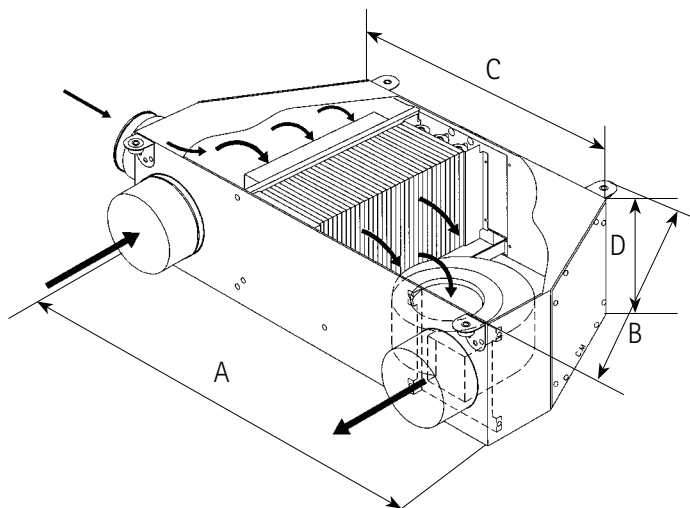
Cooling: Entering/leaving air temperature = 27°C db/19°C wb – entering/leaving water temperature = 7°C/12°C.

Heating (2 pipes): Entering air temperature = 20°C – entering water temperature = 50°C, same water flow rate as in cooling.

Heating (4 pipes): Entering air temperature = 20°C – entering/leaving water temperature = 70°C/60°C.

* Based on a hypothetical sound attenuation for the room and the system of -21 dB(A).

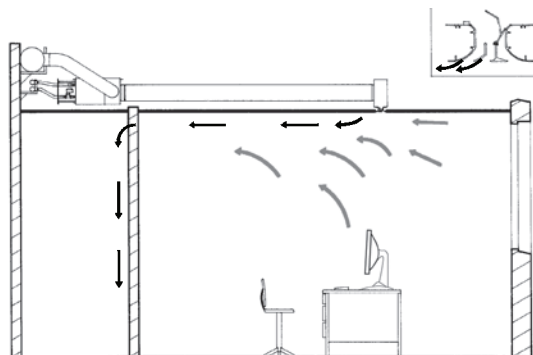
Dimensions, mm



35BD/SR linear diffuser (supply and return air)

Air distribution with Optimix linear diffusers

Cooling air flow



Heating air flow

